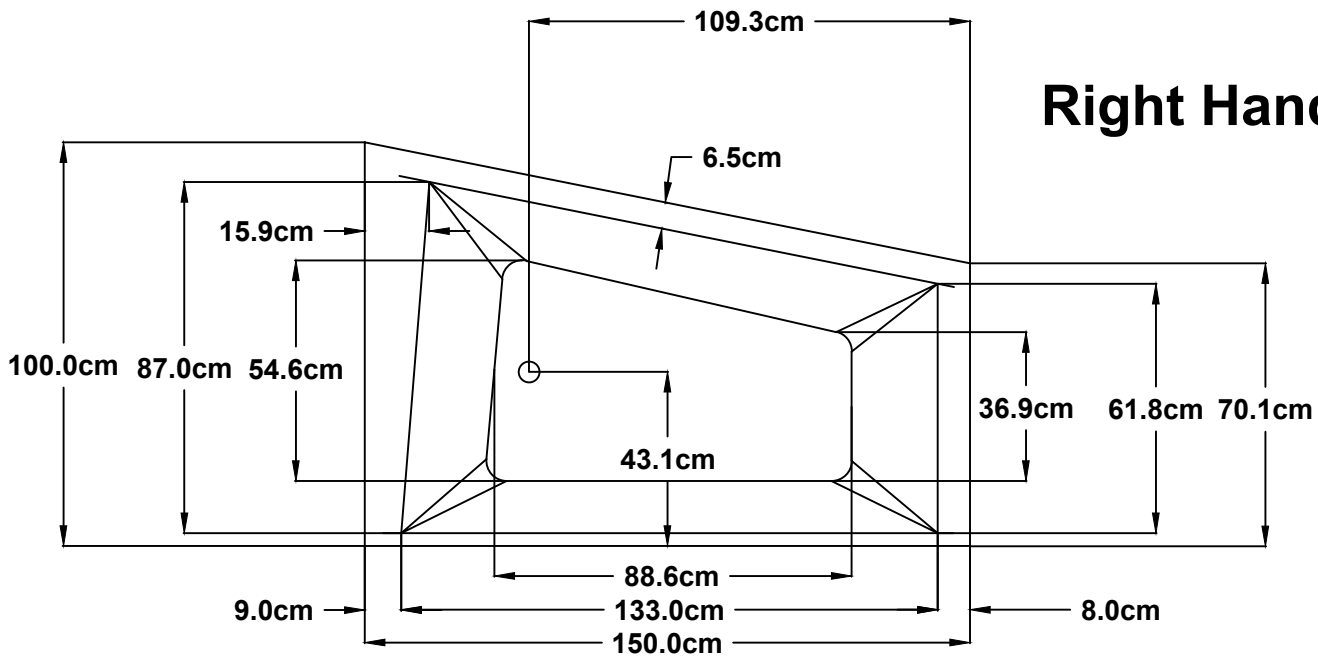


Left Hand



Right Hand

